

FORCLIMA HS8

“HS8” TECHNICAL CHARACTERISTICS AND DATA

DESCRIPTION

“HS8” ambient humidistat is ideal for humidity control in environments.

The heat recovery unit switch on/off depending on the humidity value set in the HS8 humidistat.

DIMENSIONS

H 70 x L 115 x P 35 mm

OPERATION

Install the humidistat far from heat sources and free from direct air streams.

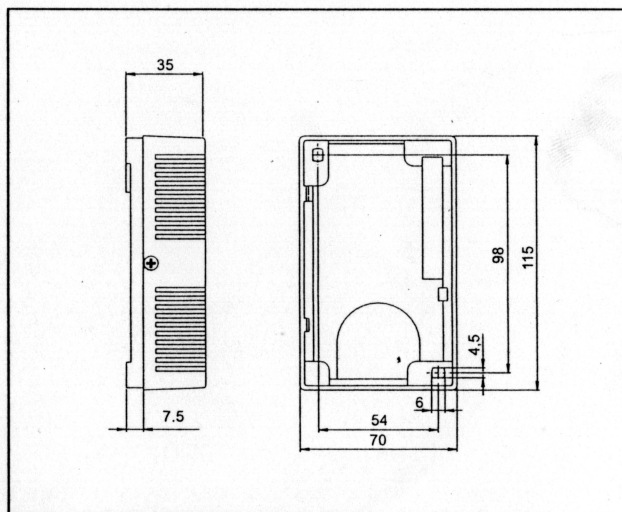
Install in a watt at 1,5 mt from ground.

CONSTRUCTION

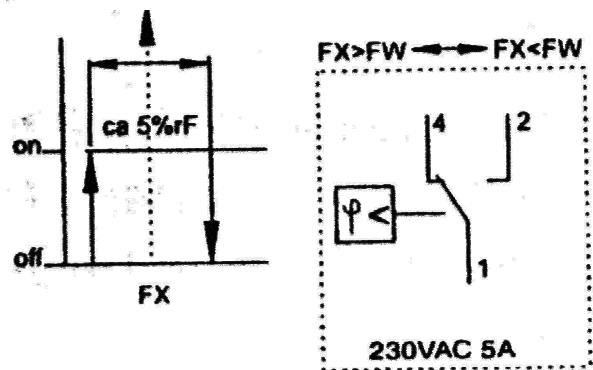
With the ABS box, IP20 as EN 60529 norm (ex IEC 529) class protection 1, norm – EN 60335-1 (ex IEC 335-1).

GUARANTEE

24 months.



Contacts 1 & 2 close and 1-4 open when the relative air humidity drops below the pre-set value.



FX= relative air humidity (measured)
FW= humidity value set in the knob



Vicolo Sanzio, 3 (Statale 16)
35020 Albignasego (PD) Italy
tel. +39 049 680475
fax +39 049 680077
info@forclima.it
www.forclima.it

FORCLIMA
Heat Recovery Ventilation

